



Maintenance:

Under normal circumstances / operating conditions the pump is maintenance-free.

If the pump has been used for other mediums than clean water, clean water should be flushed through the pump immediately after use.

This is done by letting the pump run and recirculate water in the tank for approx. 2-3 minutes and then discharge the water until the container is empty.

Repeat this until the water is satisfactorily clean in the tank.

Warning

For safety reasons the inlet strainer must always be mounted on the pump during operation.



Before dismantling the pump the power supply must be disconnected.

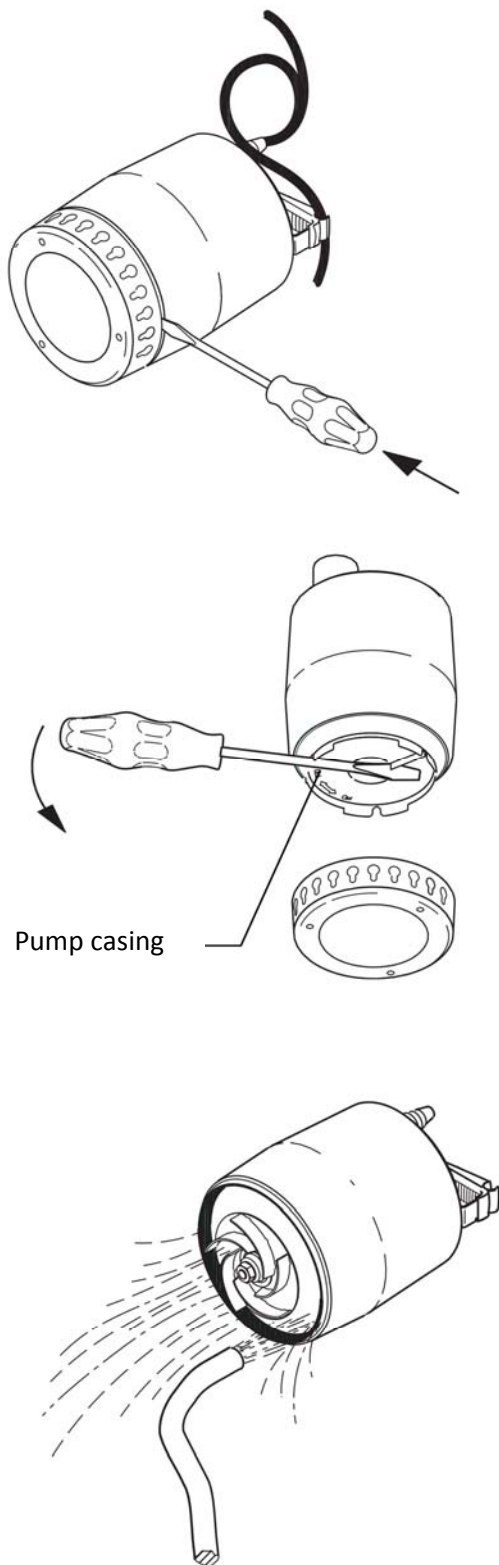
Be careful when dismantling the pump, as sharp edges etc. may cause cuts. Use protective gloves.

If this procedure does not give the result wanted, it may be necessary to remove the pump and clean it manually.



Warning

Before starting to work on the pump you must disconnect the power supply, and you must make sure that the power supply cannot be inadvertently reconnected.



Cleaning of the pump:

If the pump delivers an insufficient quantity of water because of deposits and the like, remove and clean the pump:

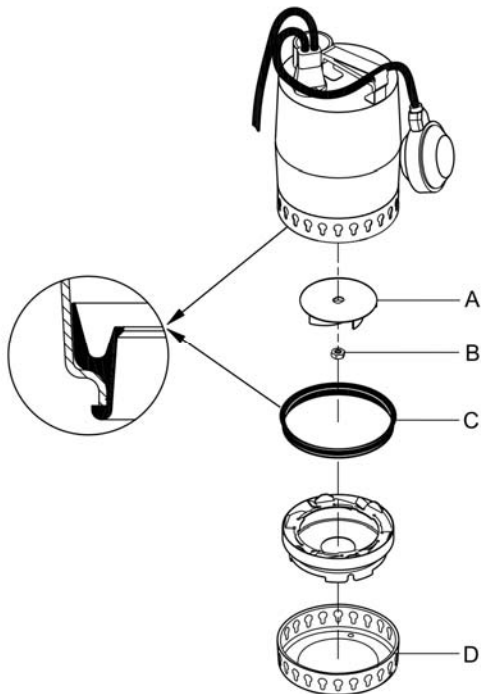
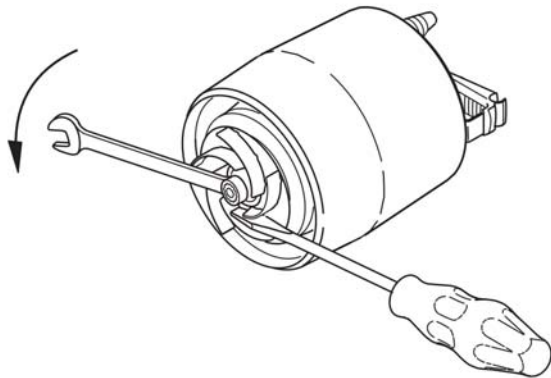
1. Disconnect the power supply of the pump.
2. Drain the pump for water.
3. Remove the inlet strainer:

Insert a screwdriver between the covering of the pump and the strainer and press firmly. Do this several positions around the strainer until it is free and can be removed.

4. Clean the inlet strainer and mount it again.

If the pump still does not provide sufficient water, dismantle the pump further.

5. Remove the inlet strainer.
6. Turn the pump casing a quarter turn anticlockwise with the screwdriver, see the arrow on the pump casing. Remove the casing.
7. Clean and rinse the pump inside in order to remove any impurities between the motor and the covering. Clean the runner.



8. Check that the runner can rotate freely. If this is not the case, the runner must be removed.
9. Unscrew the nut of the motor shaft (width 13 mm). Use a screwdriver to prevent the runner from rotating.
10. Clean the runner and clean around the shaft.
11. Check the runner, the pump casing and the sealing ring. Replace defective parts, if necessary.
12. Assemble the pump in the reverse order of the dismantling.

Check before and during the mounting of the pump casing that the sealing ring is correctly mounted.

Moisten the sealing ring with water to make the mounting easier.

Replacement of the cable and level switch must be carried out by V. Brøndum A/S.